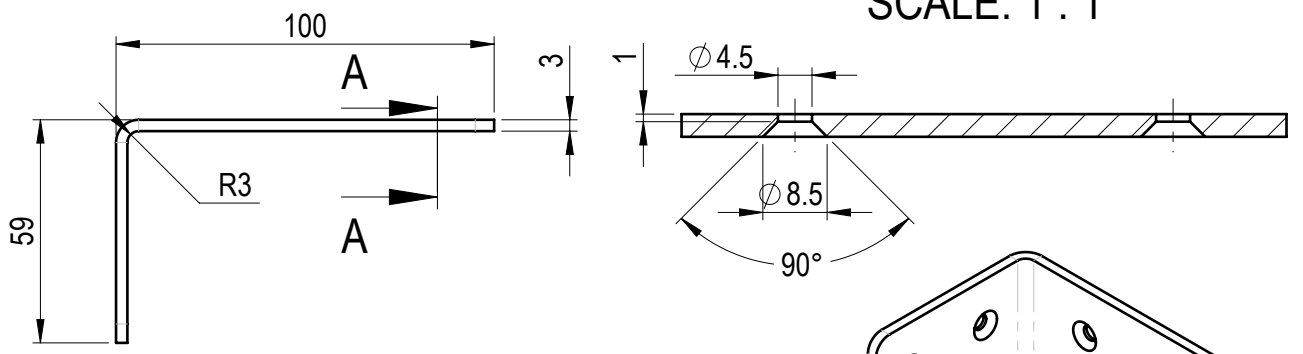
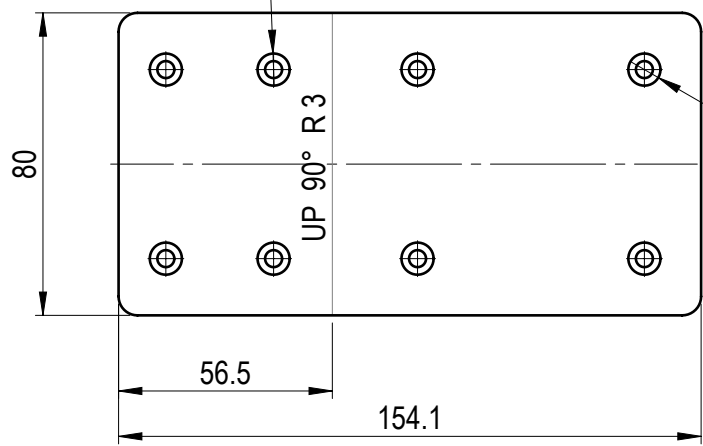


A-A
SCALE: 1 : 1



Flat Pattern view
SCALE: 1:2

4 x ϕ 4.5 THRU ALL
 \surd ϕ 8.5 X 90°



4 x ϕ 4.5 THRU ALL
 \surd ϕ 8.5 X 90°

Other dimensions from .DXF file.

SHEET METAL INFORMATION	
Length, mm	154.1
Width, mm	80
Thickness, mm	3
Inside Bend Radius, mm	3
K-Factor	0.5
No. of Bends	1

	MATERIAL	S355JR	WEIGHT	0.283 Kg	DEBURR AND BREAK SHARP EDGES DO NOT SCALE DRAWING	REVISION	DATE	21.03.2025
	SURFACE PROTECTION	HDG EN ISO 1461	MACHINING	ISO 2768 mK	THERMAL CUTTING	ISO 9013 441	WELDING	ISO 13920 BF
NAME	SIGNATURE	PART NO.	105-11330-03					
Designed by	M. Supols	DESCRIPTION	Support angle				SHEET 1/1	
Drawn by	M. Supols							
Technical ref.								